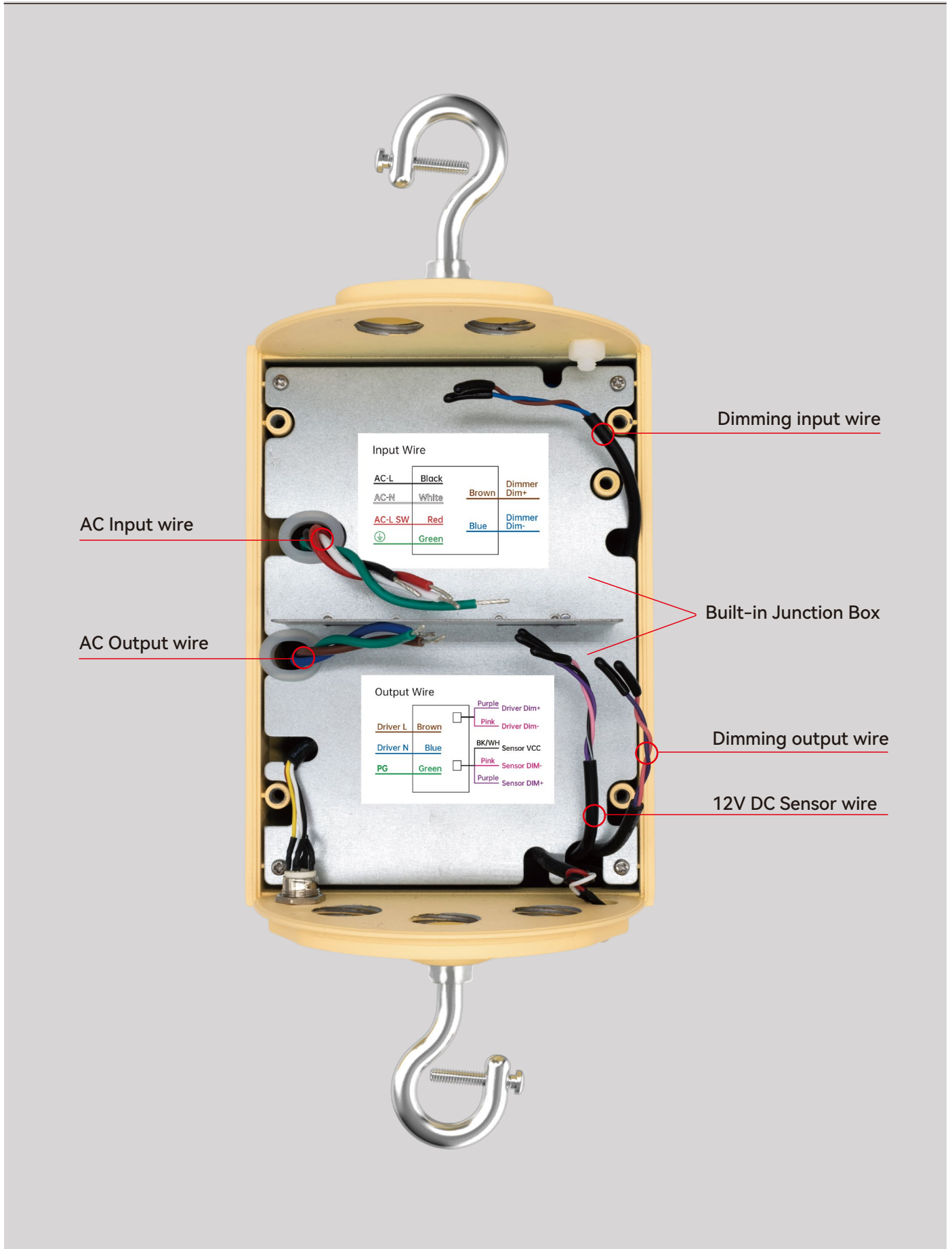


# ESPITON



## ES-EIB SERIES

## BUILT-IN JUNCTION BOX



Input Wire			
AC-L	Black		Dimmer
AC-N	White	Brown	Dim+
AC-L SW	Red	Blue	Dimmer
⊕	Green		Dim-

Output Wire			
Driver L	Brown	Purple	Driver Dim+
Driver N	Blue	Pink	Driver Dim-
PG	Green	BK/WH	Sensor VCC
		Pink	Sensor DIM-
		Purple	Sensor DIM+

## DESCRIPTION

- \*Description: AC solution EM for 9~350W LED luminaire
- \*It must connect 0/1-10V dimming wires if power of luminaire > power of EM.

## FEATURES

- \* UL listed for field or factory installation, CEC title 20 compliant
- \* Compliance with American NFPA 101 life Safety Code.
- \* Easy installation, no need to open up a luminaire to connect this device to the driver, connect with the led lamp directly.
- \* With built-in junction box.
- \* 2 -in- 1 LED test switch and indicator light included
- \* Manual testing via remote control (optional)
- \* Monthly/annual self-testing
- \* With multi-protection function:
  - Battery overcharge protection
  - Battery over-discharge protection
  - Output overload protection
  - Short-circuit protection
  - Open load protection
- \* 5 years limited warranty



## ELECTRICAL SPECIFICATIONS

- \* Input voltage: 100-347VAC, 50/60Hz
- \* Input current: 0.15A max
- \* Input power: 12W Max
- \* Power factor: 0.6@100Vac, 0.5@347Vac
- \* Output voltage: 120-200Vdc 250V MAX
- \* Battery: Li-ion
- \* Recharge duration: 24Hrs
- \* Emergency duration: 90mins
- \* Ambient temp: 0-50°C(32°F-122°F)

# IP69K IP65



Self Test

## MODEL SELECTION TABLE

Models	ES-EIB30-01S	ES-EIB40-01S	ES-EIB40-60S	ES-EIB30-01S-B	ES-EIB40-01S-B	ES-EIB40-60S-B
Emergency wattage	30W	40W	60W	30W	40W	60W
Battery capacity	14.8V/5200mAh	14.8V/6600mAh	14.8V/9600mAh	14.8V/5200mAh	14.8V/6600mAh	14.8V/9600mAh
Compatible led fixture	30-240W LED lamp with 0-10V dimming or LED lamp less than 30W without 0-10V dimming	40-350W LED lamp with 0-10V dimming or LED lamp less than 40W without 0-10V dimming	60-500W LED lamp with 0-10V dimming or LED lamp less than 60W without 0-10V dimming	30-240W LED lamp with 0-10V dimming or LED lamp less than 30W without 0-10V dimming	40-350W LED lamp with 0-10V dimming or LED lamp less than 40W without 0-10V dimming	60-500W LED lamp with 0-10V dimming or LED lamp less than 60W without 0-10V dimming

## NORMAL MODE

Fixtures will operate normally when power is available. When an outage occurs, the fixture will switch to emergency mode, delivering power to the fixture for up to 90 minutes.

## EMERGENCY MODE

1. The emergency battery backup enters the emergency mode immediately after the mains power failure.
2. Stop the emergency and return to the charging state after the mains power call.

## SELF-TEST

### MONTHLY SELF-TEST

It will automatically perform a monthly self-test every 30 days with a duration of 30S to check whether the emergency function is normal, and automatically restore to normal charging after 30S discharged.

### ANNUAL SELF-TEST

An annual self-test will be done every year (12 months) with a duration of more than 90mins to check whether the capacity of the battery pack is normal, and automatically restore to normal charging after fully discharged. (the condition of annual test is that the battery pack is fully charged). If the annual inspection is interrupted, it will be retested after recovery and when the test conditions are met. (Possibility of interruption: such as sudden power failure, sudden manual test).

## TEST BUTTON & LED INDICATOR

Operations	Test button operations	Remote control operations	Indicator status	Working status
Normal mode	Press the test button	Press button A	OFF	Emergency mode
	/	Press button B	OFF	Monthly testing
	/	Press button C	OFF	Annual testing
	/	/	ON	Battery is charging or fully charged
	Press the test button 5 times within 5S	Press button D 10S	Flashing 3 times	Bluetooth reset
Emergency mode	Press the test button 5S	/	OFF	Turn off the battery pack
Malfunction mode	/	/	Flashing	1.The battery pack is disconnected or it is broken. 2.The load is disconnected. 3.Short circuit or open circuit. 4.The wires are not connected properly.

\*Note: After power on the Bluetooth EM, LED red indicator light breathing when unprovisioned, red indicator light keeps on means the EM device has been connected by another user and weren't correctly disconnected, please use the remote control to reset it or press the test button 5 times within 5S to reset the EM.

## ACCESSORIES



2pcs M10 hooks



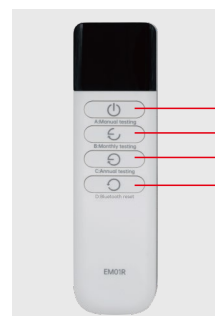
1pc safety rope



20pcs wire nuts



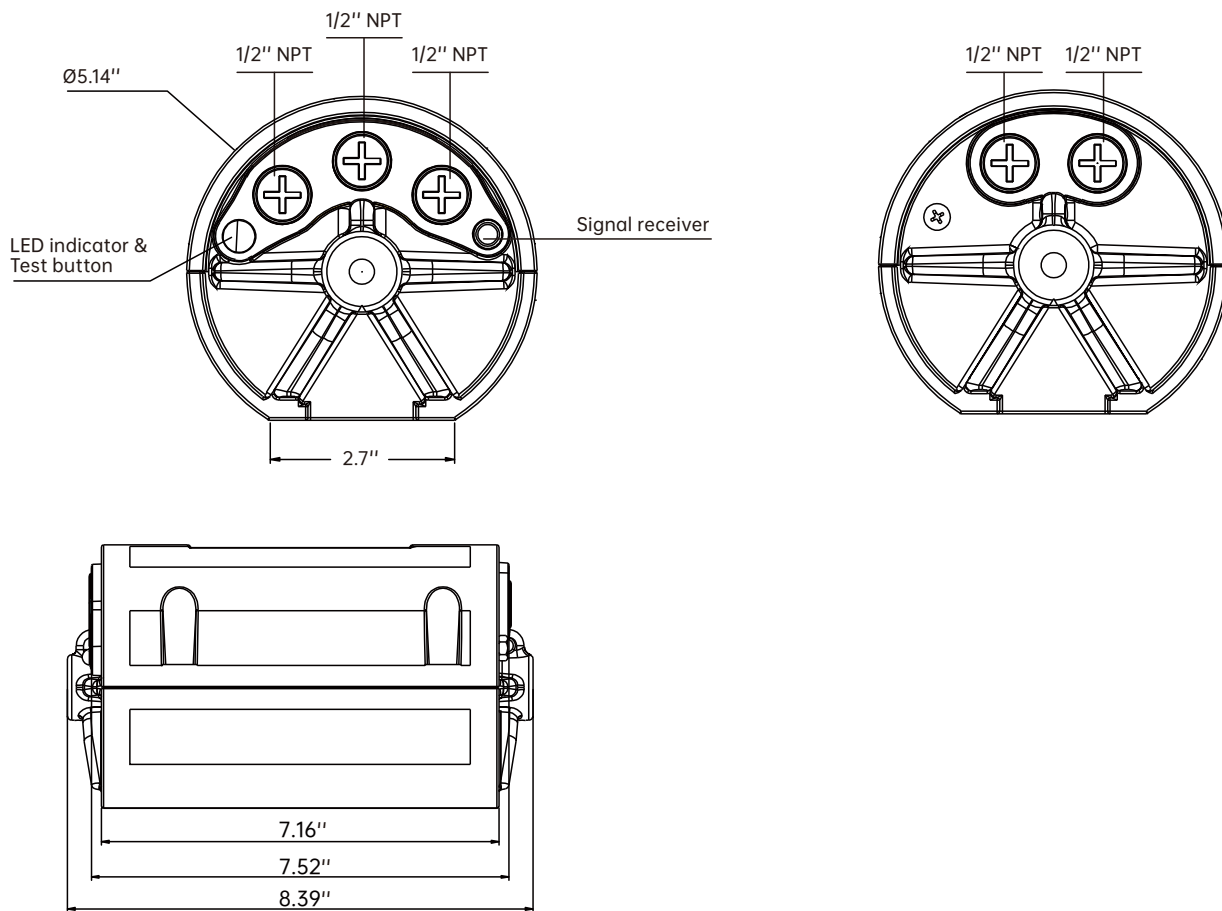
5pcs waterproof connectors



1pc remote control  
\*Optional

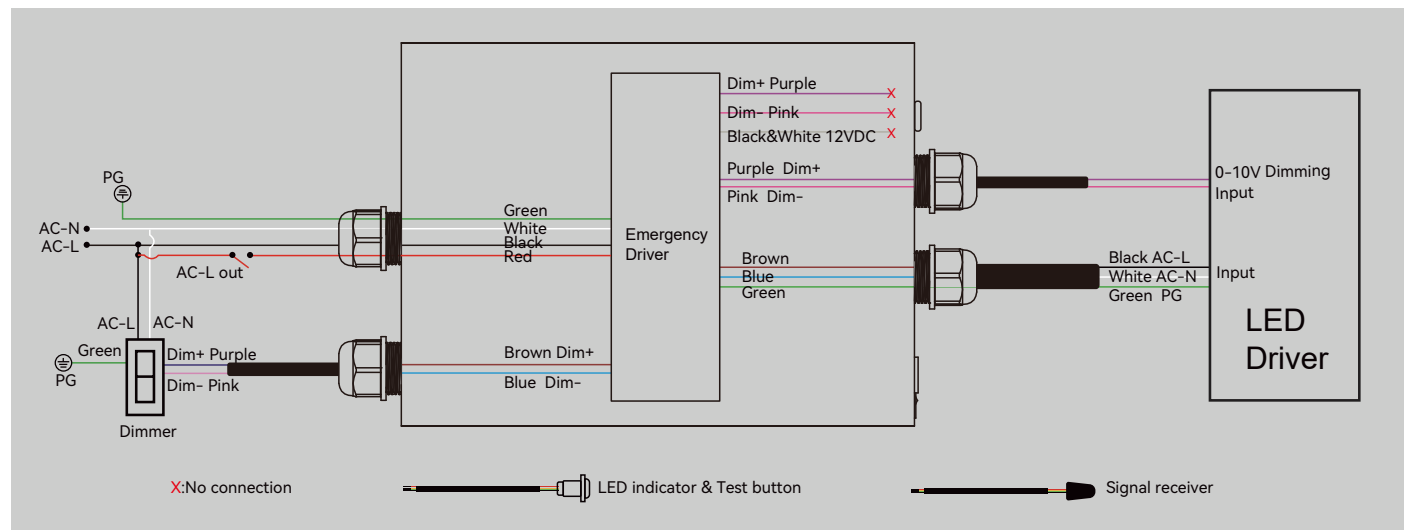
A: Manual testing  
B: Monthly testing  
C: Annual testing  
D: Bluetooth reset

## MOUNTING CONFIGURATION

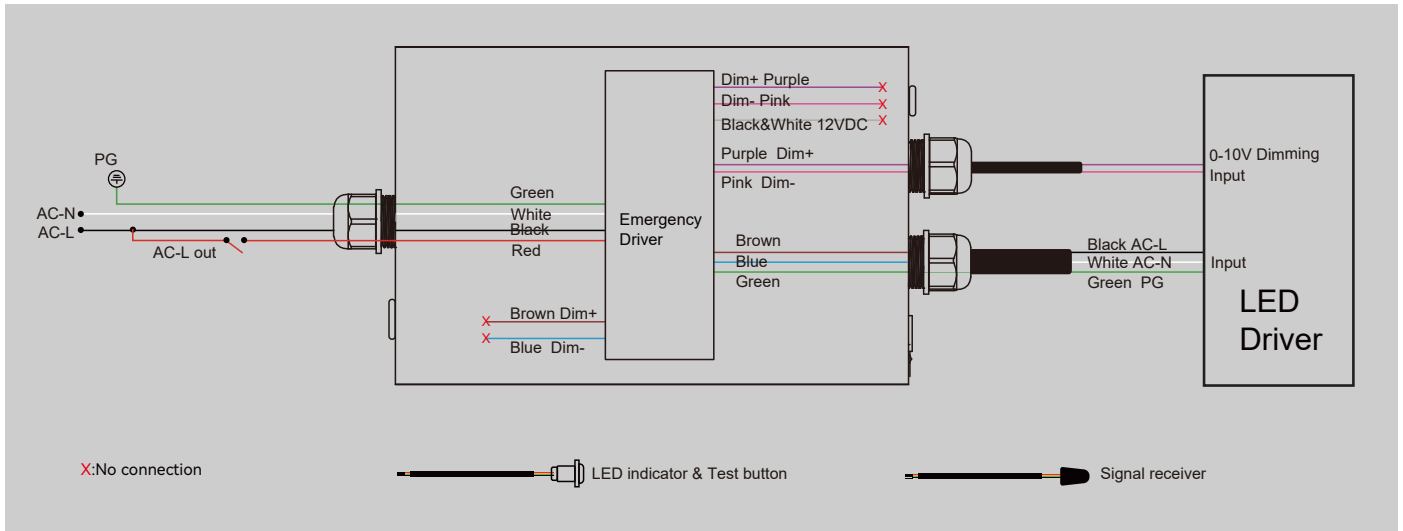


## WIRING DIAGRAM (Note: The LED fixture must be integrated with 0/1-10V dimmable LED driver)

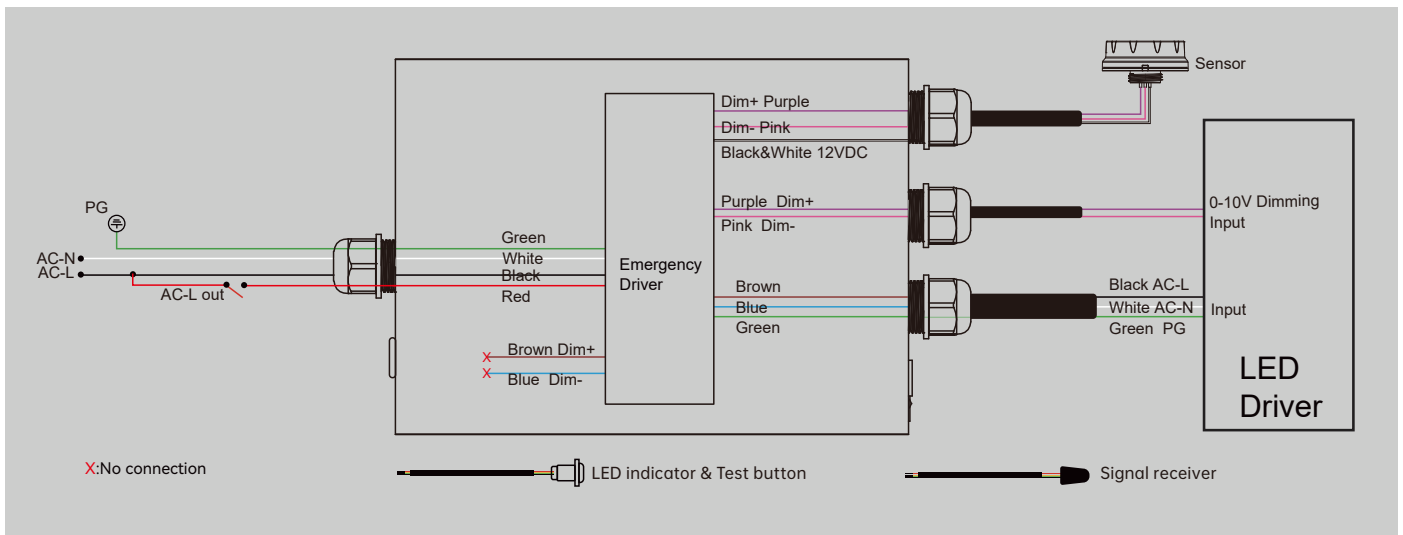
### 1. With Dimmer ▲ Driver Power $\geq$ Emergency Power



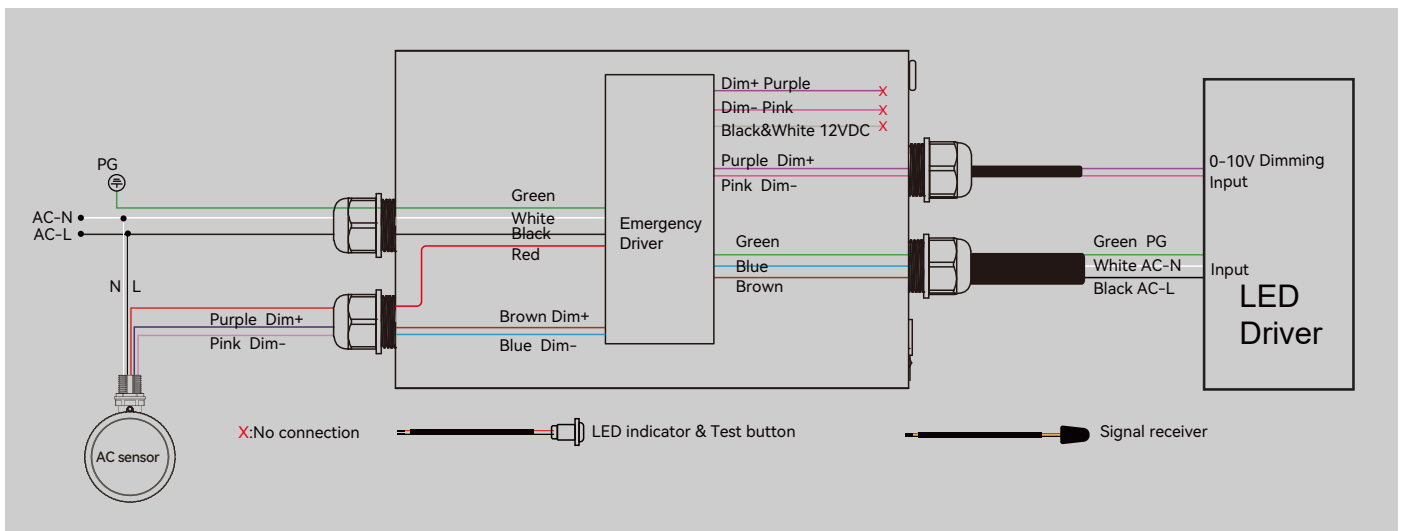
## 2. With Wall Switch ▲ Driver Power $\geq$ Emergency Power



## 3. With 12VDC Sensor ▲ Driver Power $\geq$ Emergency Power

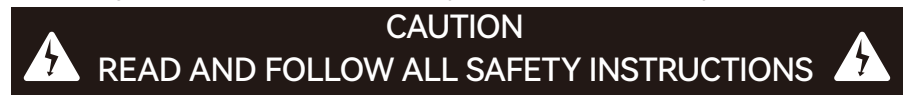


## 4. With AC Sensor ▲ Driver Power $\geq$ Emergency Power





## IMPORTANT SAFEGUARDS

When using electrical equipment, basic safety precautions should always be followed, including the following:



1. CAUTION – To prevent electrical shock, do not mate unit connector until installation is complete and A.C. power is supplied to the unit.
2. CAUTION – This fixture provides more than one power supply output source. To reduce the risk of electrical shock, disconnect both normal and emergency sources by turning off the A.C. branch circuit and by disconnecting the unit connector.
3. CAUTION – This is a sealed unit. Components are not replaceable. Replace the entire unit when necessary.
4. CAUTION – Installation and servicing should be performed by qualified personnel only. De-energize before opening.
5. The EIB is for use with grounded LED luminaires listed to UL standards. Not for use in heated air outlets or hazardous locations.
6. The EIB requires an unswitched A.C. power source of 100 to 347 volts, 50/60 Hz.
7. The EIB and A.C. driver must be on the same branch circuit.
8. Do not mount near gas or electric heaters.
9. The EIB should be mounted in locations and at heights where it will not readily be subjected to tampering by unauthorized personnel.
10. The EIB will supply 120-200 VDC output at the individual rated specification for 90 minutes.
11. Suitable for use in damp locations and plenum spaces.
12. Flexible metal conduit is optional, depends on installation environment.
13. For use in 0° C minimum, 50° C maximum ambient temperatures.
14. Do not use this equipment for other than intended use.
15. Install in accordance with the National Electrical Code and local regulations.
16. Lighting fixture manufacturers, electricians, and end-users need to ensure product system compatibility before final installation.

## PACKAGING

Model NO.	Inner box size	Outer box size	Pack quantity	Carton weight	NET weight
ES-EIB30-01S	297*163*140mm	312*344*437mm	6 pcs	14.01kg	11.52kg
ES-EIB40-01S	297*163*140mm	312*344*437mm	6 pcs	14.19kg	11.7kg
ES-EIB30-01S-B 	297*163*140mm	312*344*437mm	6 pcs	14.01kg	11.52kg
ES-EIB40-01S-B 	297*163*140mm	312*344*437mm	6 pcs	14.19kg	11.7kg